



Digital RF X-ray machine 50KW

Remote Control Table Digital RF X-ray machine with Dynamic detector

Code: ACM-323H



Manufacturer: Elektro GENESIS, NO. 7/24 Stebondale Street, London, United Kingdom
Authorized Distributor: Goldengate Holdings Limited, Dubai, U.A.E

Excellent Configuration and best image provide

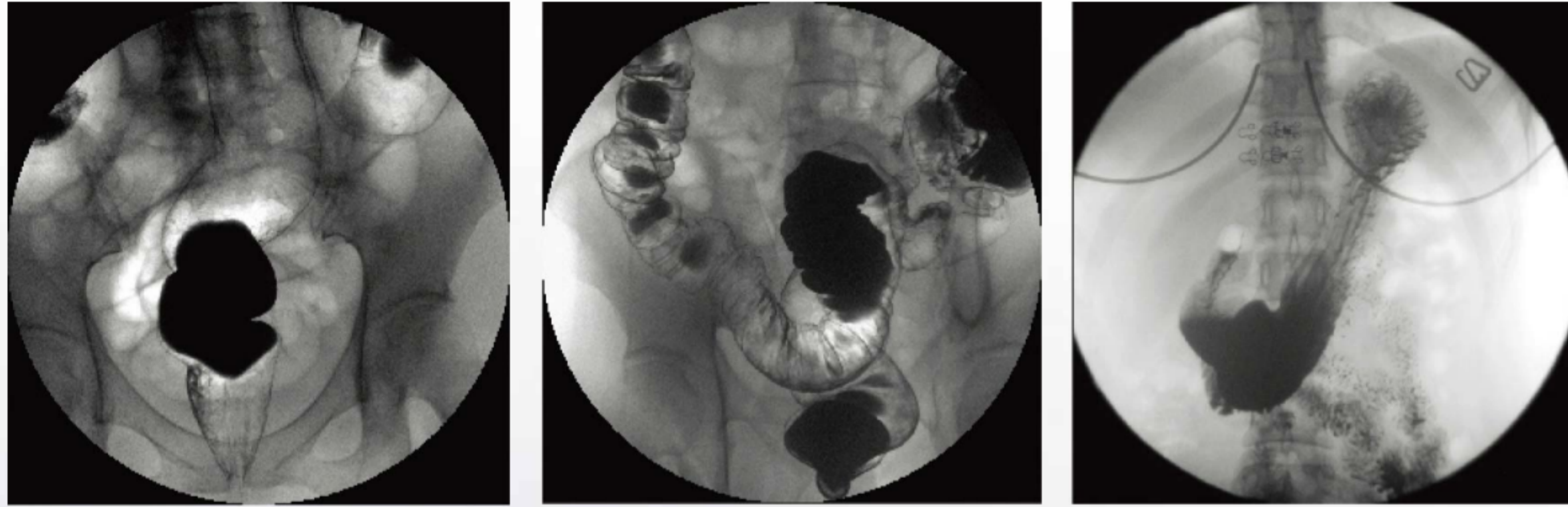


Image in Fluoroscopy



High Frequency Generator

- System invariable DC output fits for large power, high kV radiograph and short time instant radiography, optimizing images
- Automatic Program Radiography (APR), 768 kinds of radiographi conditions, can set and save radiographic conditions for the especia requirements
- Using the global best frequency conversion technology, the high frequency 25kHz insures the output waves of high voltage smooth

Tube

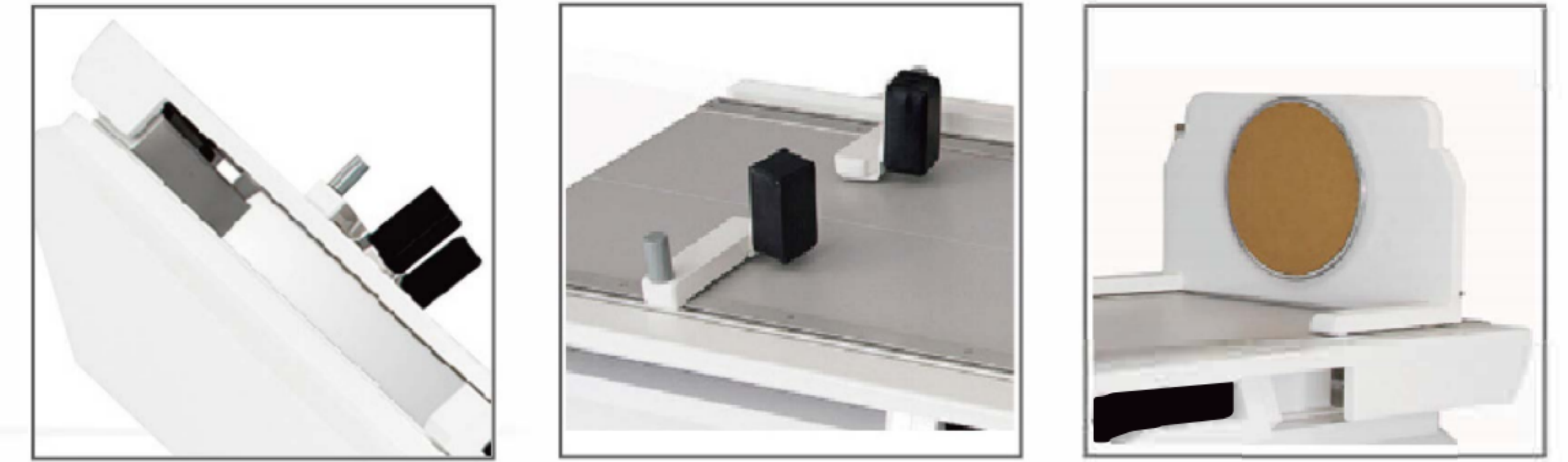
- Excellent X-ray tube has high kV, small focus, high quality image can be provided
- At 300 kHU, the high anode heat storage capacity and low-noise air cooling of the X-ray tube prevents overheating and interruptions even when you require longer screening times or examine larger patients

Feature

ACM-323H, Multi-Application, Radiography and Fluoroscopy function in one machine, 2-in-1 efficiency system!

Whether for its handling convenience, outstanding image quality, versatility or reliability, ACM-323H, the remote-controlled fluoroscopy system from Orich, is a solid investment.

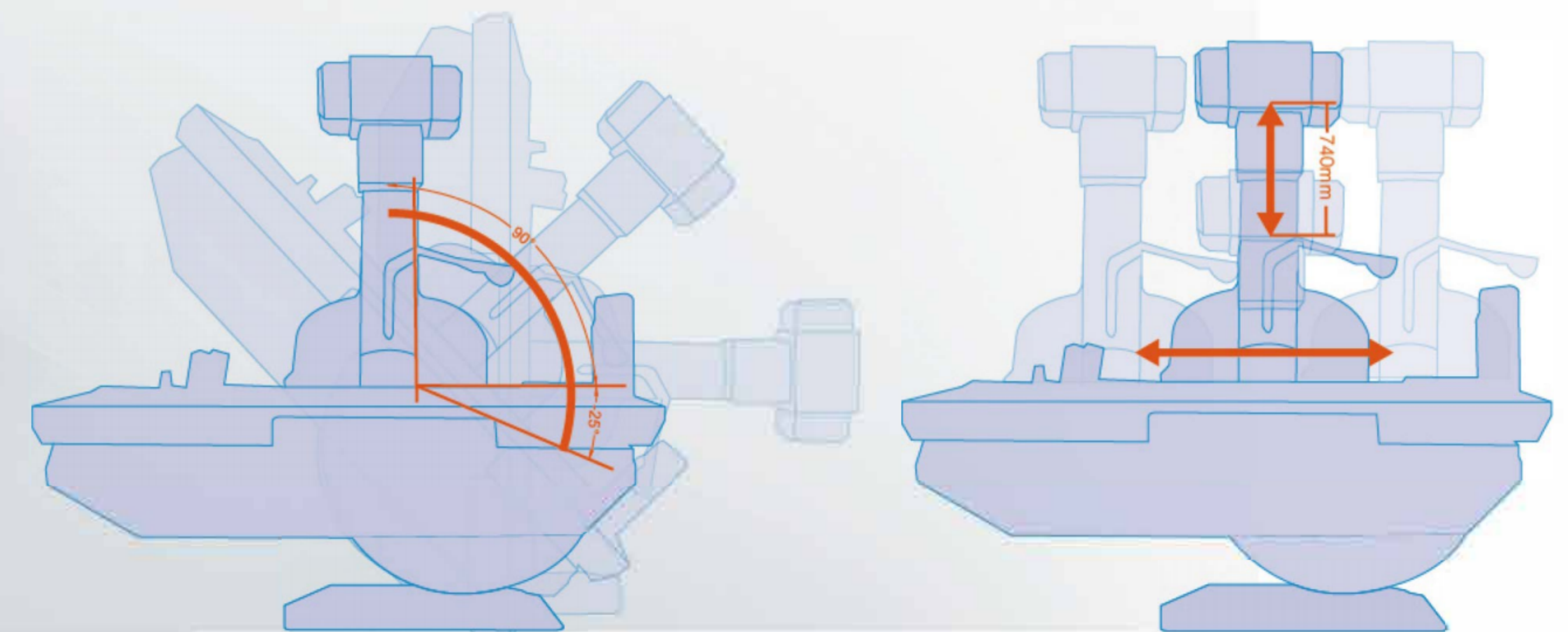
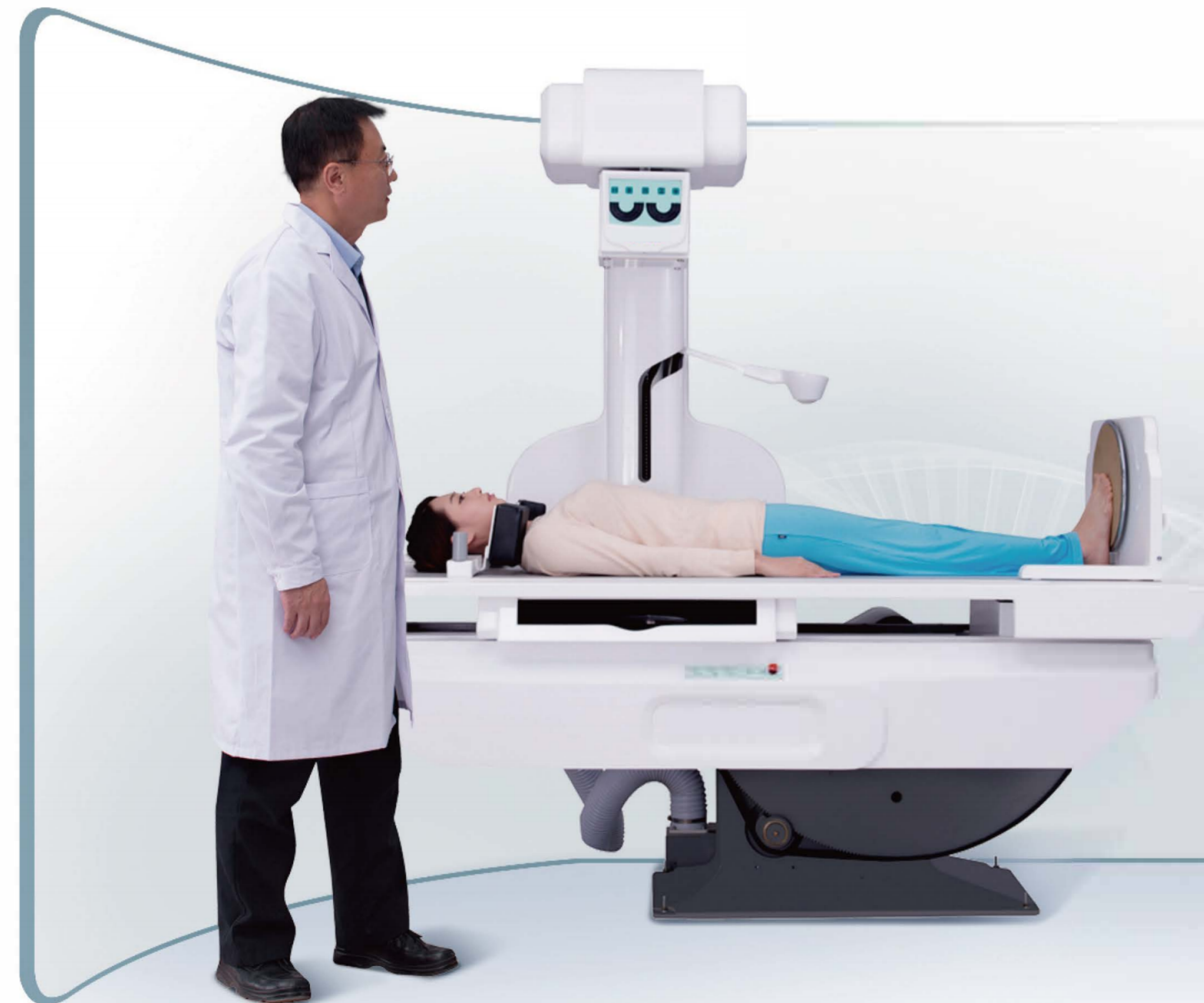
ACM-323H combines quality components and proven technology to offer you excellent performance for the complete range of fluoroscopy applications. A system providing high usability to improve your workflow, diagnostic capabilities and budget planning for years to come – that's ACM-323H, an all-round great value.



State-of-the-art design fully improves the safety and comfort

R/F table

- Compact island design of the diagnostic table perfectly realized diversified diagnoses, and can satisfy the special requirements of the interventional therapy
- 740mm moving distance of the X-ray Tube, adequately satisfies different diagnostic requirements
- -25°tilting function is convenient to control contrast
- State-of-the-art design fully improves the safety and comfort



High Frequency Digital X ray Diagnostic System

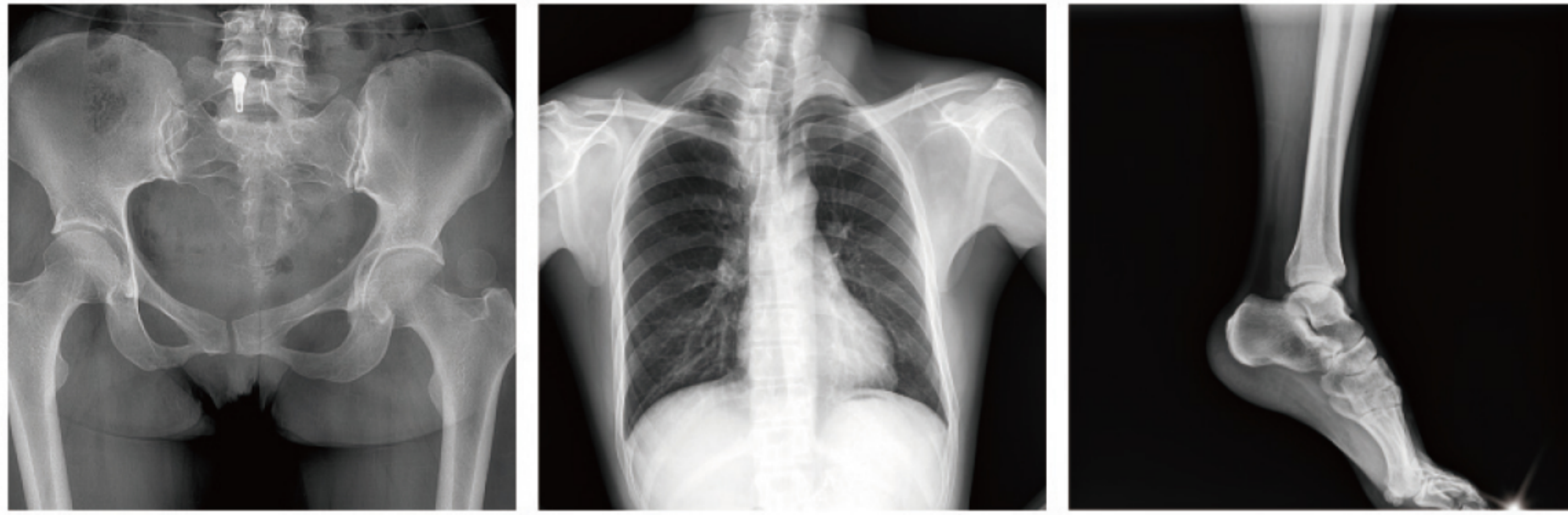


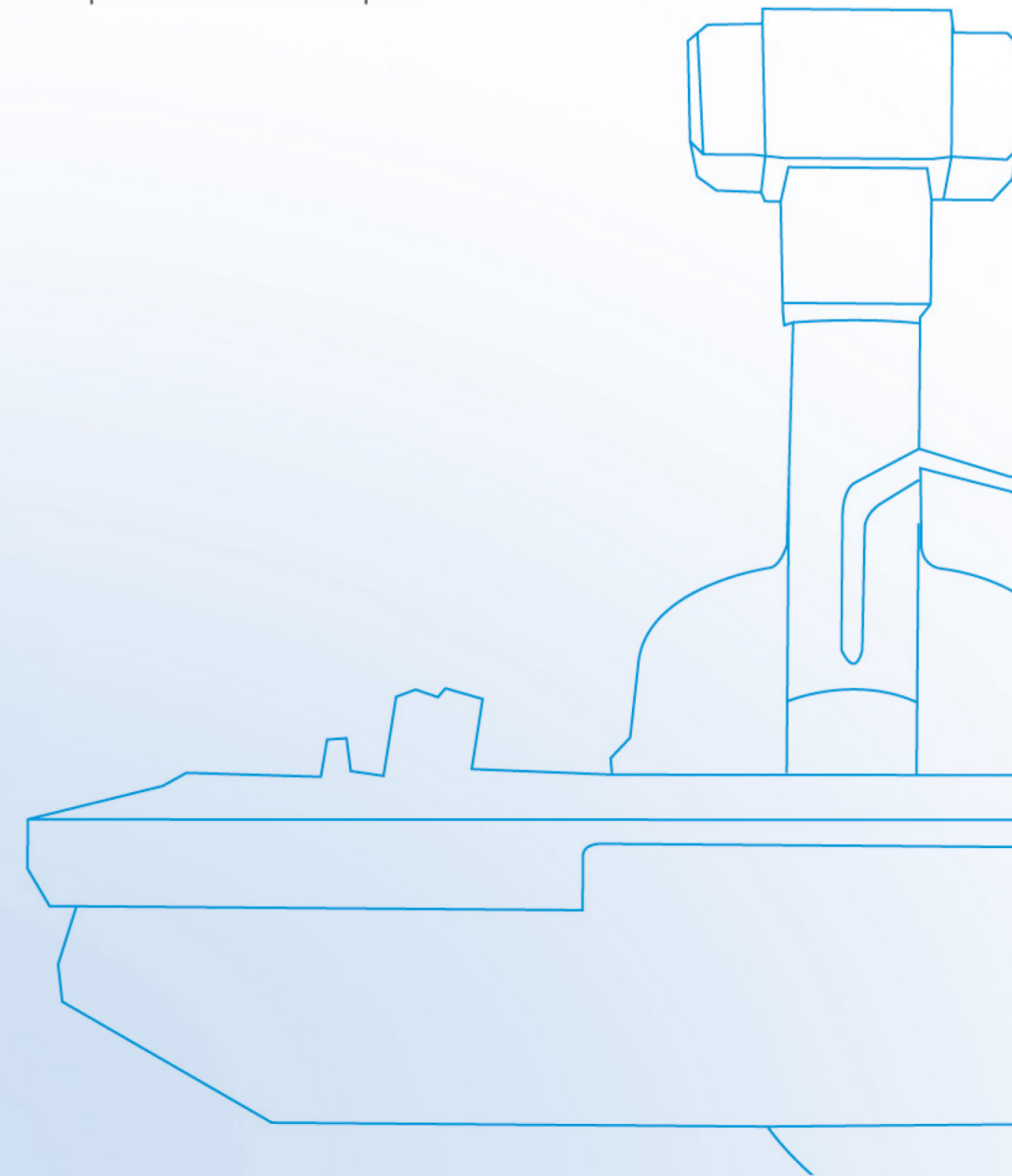
Image for Radiography

Digital Workflow

- **Record Management:** Easy to establish, save, index, amend and delete records
- **Image Acquisition:** Real-time fluoroscopic radiographic image acquisition and image playback
- **Image Handling:** Achieve the multitudinous functions, such as real-time Digital Subtraction Angiography (DSA), Last Image Hold (LIH), multi-image display, image rotation, image edge-intensification and so on
- **Image Output:** Dual video output, reports can be established, printed and rewritten. Support the DICOM 3.0 output
- **Remark:** The optional laser printer realizes the film-print

Imaging System

Dynamic digital flat panel detector: high performance detector with excellent image quality, high dynamic range and high frame rate. The FPD is designed to meet the needs of kinds of applications, including CBCT and gastrointestinal imaging. .





Manufacturer: Elektro GENESIS, NO. 7/24 Stebondale Street, London, United Kingdom
Authorized Distributor: Goldengate Holdings Limited, Dubai, U.A.E