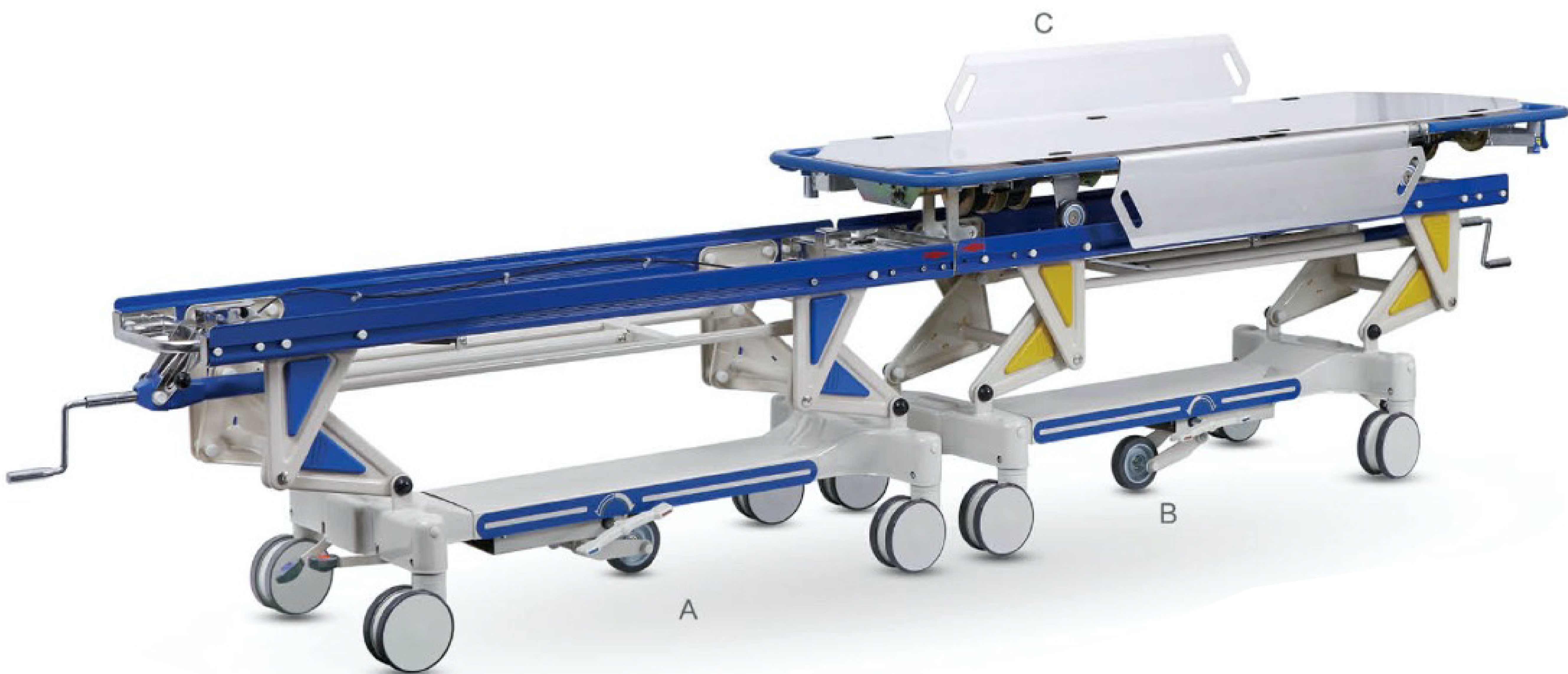


ELK-822

CONNECTING TRANSFER STRETCHER FOR OPERATION ROOM



ELK-822

Connecting Transfer Stretcher For Operation Room



- It is a manual connecting Transfer Stretcher, can be used to defend cross-infection
- Cart A inside the operation room, Cart B outside, adjusting them to the same height, then push Cart B to Cart A, two carts will be connected, following the orbit, part C can be pushed from one cart to another, and VICE VERSA
- Rotate the crank handle on part C, patient on the mattress can be moved parallelly to another bed or flat table
- **Dimension:**
 Cart A&B connected: 3900*640mm (L*W)
 Height adjustment(Bed board C to ground): 915-665mm
 Horizontal move range: 400mm
 Size of mattress on C: 1880*555mm(L*W)
- Rotary rollover protective railing, insulation bed board
- Net Weight: 151kg
- Standard accessory: I.V. pole

