

DUAL CHANNEL ULTRASOUND THERAPY



Attention

Respected user :

Thank you for choosing the instruments which carefully designed and manufactured by our company.

In order to better utilize the product, we sincerely recommend:

- Please read this manual carefully before using the instrument.
- Please install, use and operate correctly according to the requirements in the manual.
- Do not disassemble or modify any parts of this machine.
- Except for authorized personnel of the company, it is strictly forbidden to open the cover and disassemble the host.
- Non-professionals are strictly forbidden to carry out repairs and renovations.
- If there is any malfunction during the operation, please contact us

Due to continuous improvement, update, and replacement of the product, the products received may not be exactly same as the illustration in the manual. We sincerely apologize.

Notice: Please read this manual carefully before operating this machine

Dual Channel Ultrasound Therapy

Product Appearance (For reference only, subject to the actual product)



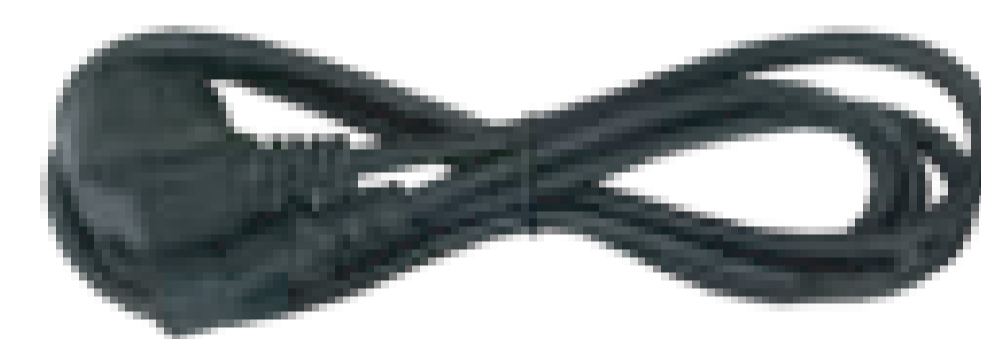
Part lists



Machine*1



Ultrasound Handle*2

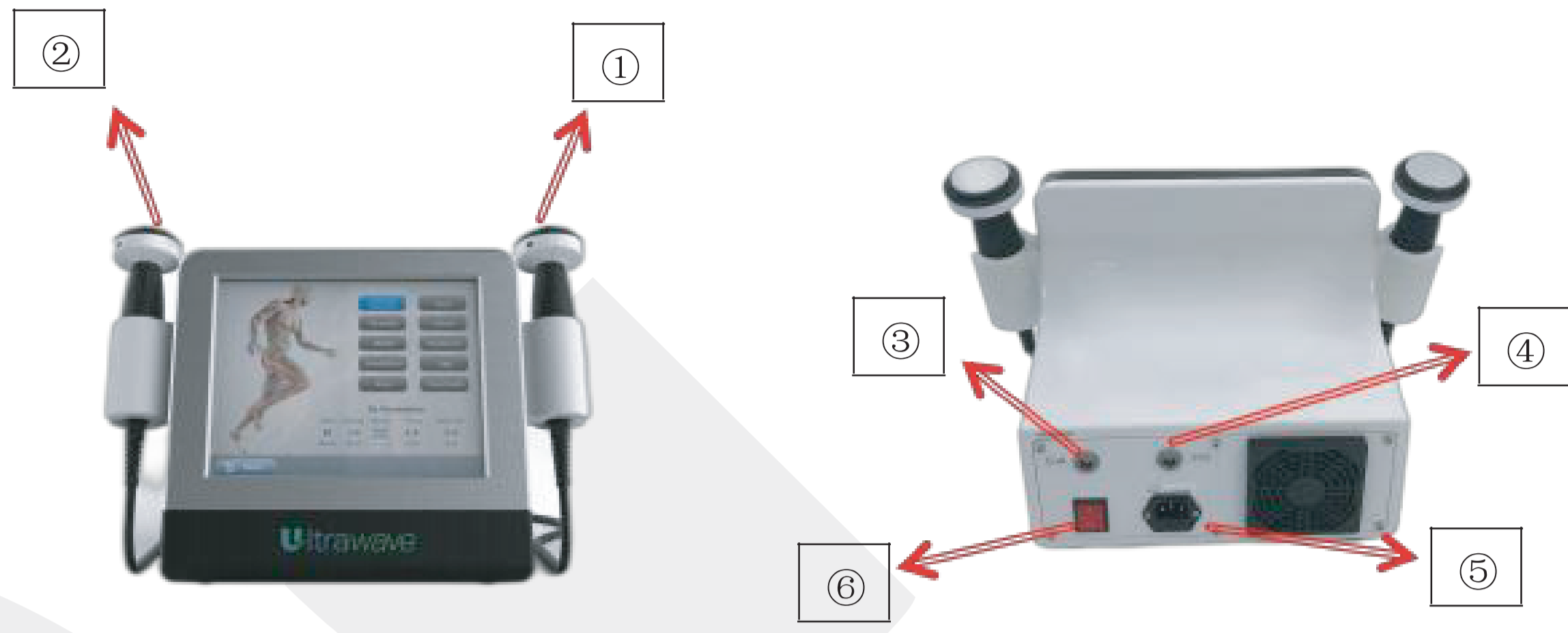


Power line*1

Technical Parameters

Frequency	1MHz	Energy	0.2-3W/CM ²
Software	Preset parameters for 10 body parts	Package	CartonBox
Voltage	AC 110-240V	Package Size	39*38*36cm
Package Size	66*60*50cm	Gross weight	7.5kg
Password	888888		

Structure of the machine and how to install it



Structure:

- Ultrasound handle
- Ultrasound handle
- Right channel ultrasound handle outlet
- Right channel ultrasound handle outlet
- Power outlet
- Power Switch

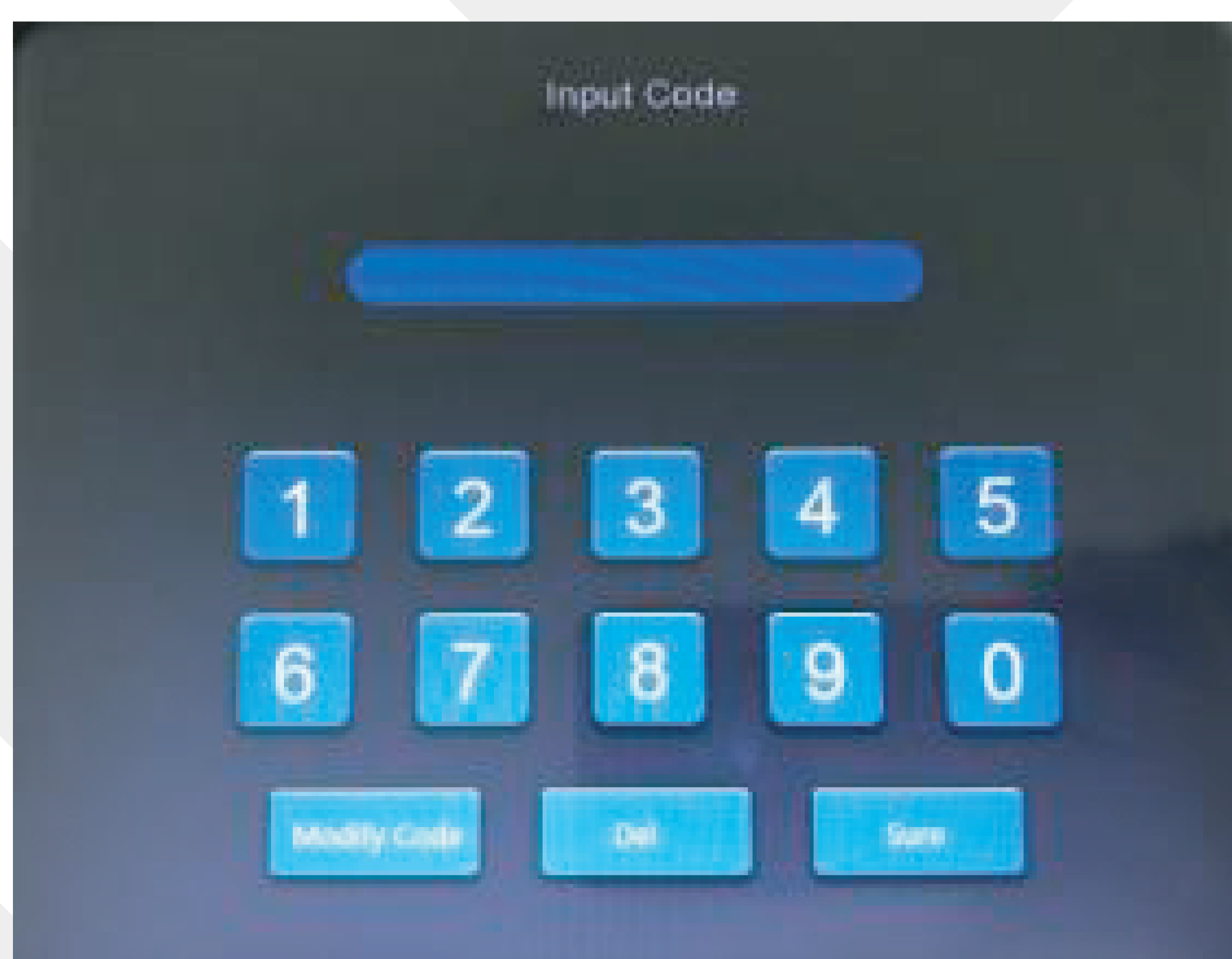
Install steps:

Make sure that the power is off when inserting the ultrasound handle

Find the plug protrusion and align it with the socket

Notice: When the power is on, we can not install or remove the handle

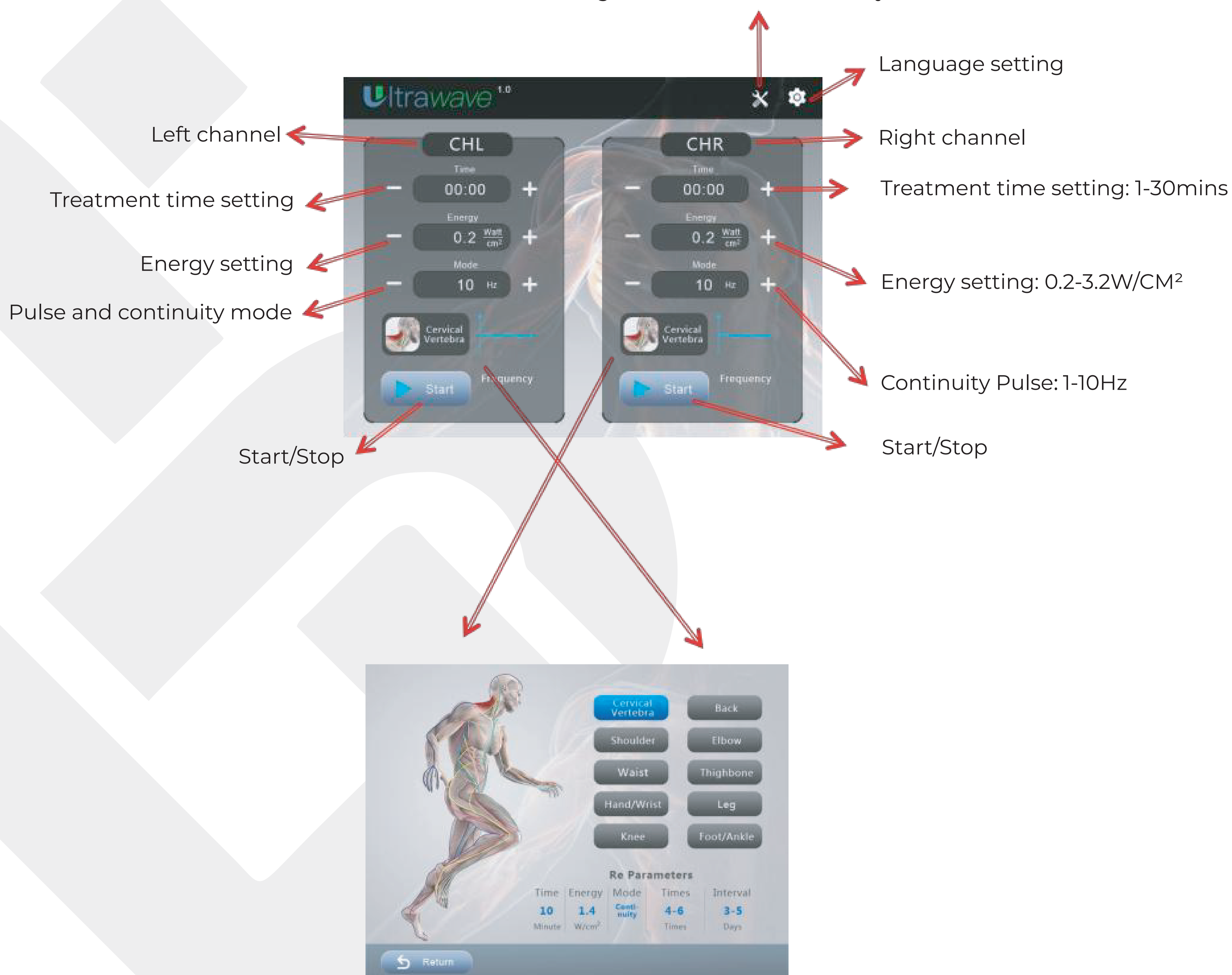
Touch screen:



Password: 888888

Two channels can work to together or work separately

Advanced settings are for technical use only.



Body parts selection: each body part has the preset parameters including time duration, energy, mode, number of treatments and pause between two treatments

Ultrasound Theory

Treatment theory

Ultrasound therapy is a form of physical therapy that uses high-frequency sound waves to treat various conditions. The treatment theory behind ultrasound therapy is based on the principle of acoustic energy absorption by biological tissues. Ultrawave emits sound waves that penetrate the skin and are absorbed by underlying tissues, causing them to vibrate. This vibration creates heat and promotes blood flow, which can help reduce pain, inflammation, and muscle tension.

Additionally, ultrasound therapy can also be used to break down scar tissue, increase collagen production, and stimulate the healing of soft tissue injuries.

Indications

- Soft tissue injuries
- Chronic strains and sprains
- Myositis – the inflammation of muscle tissues
- Bursitis – inflammation of the fluid-filled pads surrounding joints
- Tendonitis – inflammation of the tissue connecting the muscles to the bones
- Tendon Sheath Inflammation
- Osteoarthritis
- Plantar fasciitis

Contraindication

Cancer: Over cancerous tissues as it may promote the growth of cancer cells.

Pregnancy: Over the abdomen or lower back during pregnancy, as the effects on a developing fetus are not yet fully understood.

Acute infections: Over areas of the body that are acutely infected, as this may spread the infection or worsen the symptoms.

Pacemaker or other implanted devices: Over areas where there are pacemakers or other implanted devices, as the energy from the ultrasound waves could interfere with the functioning of these devices.

Thrombophlebitis: Over an area affected by thrombophlebitis, a condition in which blood clots form in veins, as this can dislodge the clots and cause serious health problems.

Recommended steps

Take “elbow” as an example:

- (1) Apply gel to to the elbow
- (2) Press the “Elbow” button in the interface
- (3) Parameters have been preset. We can also change them based on the specific needs.
- (4) Press “start” button and move put the applicator against elbow and move the handle slightly



Maintenance

Use tissue to clean the gel on the applicator after the treatment. And remember do not remove and install ultrasound handle when the machine is power on.

Recommended treatment protocols

Area	Duration	Energy	Mode	Pause between two treatments
Cervical Vertebra	10 mins	1.4W/cm ²	Continuity	3-5days
Back	15 mins	1.6W/cm ²	Continuity	4-6days
Shoulder	12 mins	1.6W/cm ²	Continuity	3-5days
Elbow	12 mins	1.2W/cm ²	6HZ	3-4days
Waist	15 mins	1.6W/cm ²	Continuity	4-5days
Thighbone	15 mins	1.4W/cm ²	Continuity	3-4days
Hand/Wrist	8 mins	1.0W/cm ²	5Hz	4-6days
Leg	13 mins	1.2W/cm ²	8Hz	3-5days
Knee	13 mins	1.2W/cm ²	8Hz	3-5days
Foot/Ankle	12 mins	1.0W/cm ²	8Hz	3-5days